

# CAT 5 HURRICANE SCREENS, LLC WIND ABATEMENT SYSTEM INSTALLATION ANCHORAGE DETAILS

### GENERAL NOTES:

- THE PRODUCT SHOWN HEREIN IS DESIGNED AND MANUFACTURED TO COMPLY WITH THE CURRENT EDITION OF THE FLORIDA BUILDING CODE - BUILDING (FBC) AND RESIDENTIAL (FRC) VOLUMES EXCLUDING THE HIGH VELOCITY HURRICANE ZONE (HVHZ) AS A LARGE MISSILE IMPACT SYSTEM (QUALIFIES SMALL MISSILE) - MISSILE LEVEL D, WIND ZONE 4.
- WIND ABATEMENT SYSTEM HAS BEEN DESIGNED AND TESTED TO THE MAXIMUM SPAN AND LOADS SHOWN IN THESE DRAWINGS. SEE CERTIFIED TESTING LABORATORIES TEST REPORTS CTLA-1827W & CTLA-1523W.
- ACCEPTANCE CRITERIA AS PROVIDED IN ASTM E330, ASTM E1886 AND ASTM E 1996 HAS BEEN MET BY THIS SYSTEM AS A NON-POROUS FABRIC IMPACT PROTECTIVE SYSTEM. MINIMUM SEPARATION FROM THE GLAZING BEING PROTECTED AS REQUIRED PER ASTM E 1996 IS DEFINED IN GLAZING TO SCREEN SEPARATION TABLE ON THIS SHEET FOR WIND ZONE 4 AND ESSENTIAL FACILITIES IN ALL WIND ZONES.
- SEE SCREEN FABRIC MATERIAL PROPERTY TABLE THIS SHEET FOR PHYSICAL AND MECHANICAL PROPERTIES. SCREEN POROSITY SHALL BE  $\leq 10\%$  OPEN AREA.
- LABELING SHALL BE IN ACCORDANCE WITH CHAPTER 17, IMPACT RESISTANCE COVERINGS OF THE CURRENT EDITION OF THE FBC AND CHAPTER 6, IMPACT RESISTANCE COVERINGS OF THE CURRENT EDITION OF THE FRC.

### ANCHORING NOTES:

- SEE ANCHOR SCHEDULES FOR ALLOWABLE LOADS, SPANS AND ANCHOR SPACING FOR EACH ANCHORAGE SCENARIO.
- ANCHORS SHALL BE INSTALLED IN ACCORDANCE WITH MANUFACTURER'S RECOMMENDATIONS.
- ALL WOOD ANCHORS SHALL HAVE EMBEDMENT AS SHOWN INTO STRUCTURAL FRAMING. NOT INCLUDING PLYWOOD OR OTHER FINISHES.
- ENSURE THAT MINIMUM EDGE DISTANCES AND MINIMUM EMBEDMENT VALUES AS SHOWN FOR EACH ANCHOR TYPE IN ANCHOR SCHEDULES ARE MAINTAINED.
- ALL ANCHORS SHALL HAVE A LENGTH ADEQUATE TO PROVIDE THE MINIMUM EMBEDMENT VALUES LISTED FOR EACH ANCHOR.
- ALL FASTENERS, BOLTS AND WASHERS SHALL BE COATED WITH CORROSION RESISTANT TREATMENT OR MADE FROM CORROSION RESISTANT MATERIALS.
- SUBSTRATE STRENGTHS SHALL BE AS REQUIRED BY THE FASTENER MANUFACTURERS SHOWN IN THE ANCHOR SCHEDULE ON SHEETS 4 AND 5.
- UNLESS OTHERWISE INDICATED IN THE MANUFACTURER'S LITERATURE, SPECIFIC GRAVITY OF WOOD SHALL BE 0.42 OR GREATER.

### SPAN NOTES:

- ALLOWABLE DESIGN PRESSURES SHALL NOT BE EXCEEDED.
- WIND ABATEMENT SYSTEM SPANS LONGER THAN MAXIMUM NOTED ARE NOT ALLOWED.
- WIND ABATEMENT SYSTEM MAY BE MOUNTED VERTICALLY OR HORIZONTALLY.

TABLE OF CONTENTS	
SHEET	SHEET DESCRIPTION
1	NOTES, FABRIC PROPERTIES & D.P. CHARTS
2	ELEVATIONS
3	CROSS SECTIONS
4	DP vs. SPAN CHARTS, B.O.M. & COMPONENTS
5	EXPANDED DP vs. SPAN CHARTS

DESIGN PRESSURE RATING (PSF)			IMPACT RATING
SPAN	TEST REPORT #	DESIGN PRESSURE	MISSILE LEVEL D, WIND ZONE 4 (LARGE MISSILE), SMALL MISSILE ENVELOPED.
0' - 120'	CTLA-1523W	-60.0	
121' - 180'	CTLA-1827W	-60.0	
SEE SHEET 5 FOR EXPANDED DP vs. SPAN TABLES			

TENCATE NICOLON HURRICANE BARRIER (OR EQUIVALENT)	
SCREEN FABRIC MATERIAL PROPERTY TABLE	
SPECIFICATION	PHYSICAL PROPERTY
FIBER CONTENT	100% Polypropylene
CONSTRUCTION	60 x 63 EP/PP/PI
THICKNESS	21 mil
WEIGHT	9.7 oz/yd <sup>2</sup>
ASTM D5261	MECHANICAL PROPERTY
SPECIFICATION	TENSILE STRENGTH
	GRAB METHOD
	500 TO 550 LBS
	ASTM D 4632
MULLEN BURST STRENGTH	750 psi
ASTM D3786	TRAPEZOID TEAR STRENGTH
	200 TO 250 LBS
ASTM D 4533	PUNCTURE STRENGTH
ASTM D4833	AIR FLOW
	175 cfm
PERCENT OPEN AREA	5%
COE-02215	UV Resistance
ASTM G154	70% strength retained

GLAZING TO SCREEN SEPARATION TABLE	
SPAN (in) (1)	Separation Distance (in) (2)
180	38.1
174	35.4
168	32.6
162	29.8
156	27.1
150	24.3
144	21.6
138	18.8
132	16.0
126	13.3
120	10.5
<120	10.5

- NOTES:
- SPAN IS MEASURED BETWEEN SUPPORTS IN EITHER VERTICAL OR HORIZONTAL ORIENTATIONS.
  - SEPARATION DISTANCES BETWEEN PROTECTED GLAZING AND SCREEN IN WIND ZONE 4 AND ESSENTIAL FACILITIES IN ALL WIND ZONES

PROJECT NO. 418-0103	DATE	BY
1/16/18	1/16/18	RJA
UPDATE TO CURRENT EDITION OF THE FBC	DESCRIPTION	REV
09/09/08	DRAWING NO. CAT10005	C
SMC	SHEET 1 OF 5	REV
SCALE N.T.S.		
DATE 09/09/08		

13474 CHAMBERS ST.  
BROOKSVILLE, FL 34813  
CAT 5 HURRICANE SCREENS, LLC

WIND ABATEMENT SYSTEM  
NOTES, FABRIC PROPERTIES & D.P. CHARTS

PREPARED BY: PTC  
DATE: 09/09/08  
SCALE: N.T.S.  
DRAWING NO.: CAT10005  
SHEET: 1 OF 5  
REV: C

Robert J. Amoroso, P.E.  
Florida P.E. No. 49152



Digitally signed by  
Robert J Amoroso  
Date: 2018.01.19  
15:41:02 -05'00'

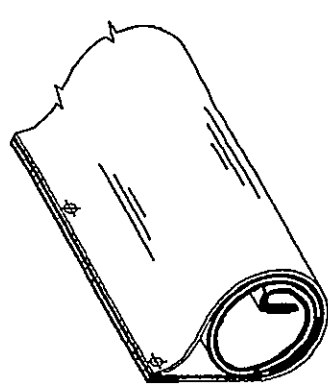
PROJECT NO. 418-0103	DATE	REV	DESCRIPTION
	08/09/08	C	UPDATE TO CURRENT EDITION OF THE FBC

PROJECT NO. 418-0103  
 WIND ABATEMENT SYSTEM  
 BROOKSVILLE, FL 34813  
 CAT 9 HURRICANE SCREENS, LLC  
 DATE: 08/09/08  
 DRAWING NO.: SMC  
 SCALE: N.T.S.  
 REV: C  
 SHEET: 2 OF 5

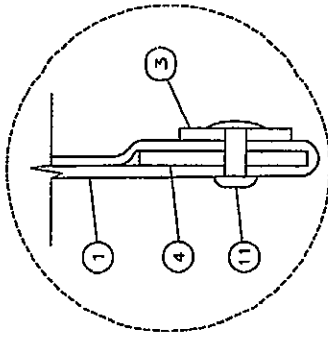
PROJECTED BY: PTC  
 9110 West Orange Ave. Suite 1000  
 Orlando, FL 32817  
 (407) 241-1111  
 (407) 241-1112  
 (407) 241-1113  
 (407) 241-1114  
 (407) 241-1115  
 (407) 241-1116  
 (407) 241-1117  
 (407) 241-1118  
 (407) 241-1119  
 (407) 241-1120

Robert J. Amoroso, P.E.  
 Florida P.E. No. 49752

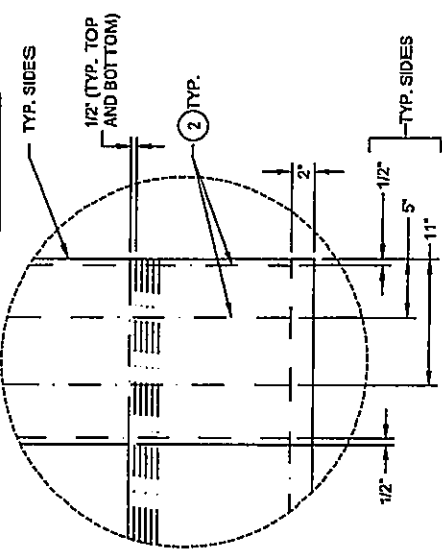
Digitally signed by  
 Robert J Amoroso  
 Date: 2018.01.19  
 15:40:49 -05'00'



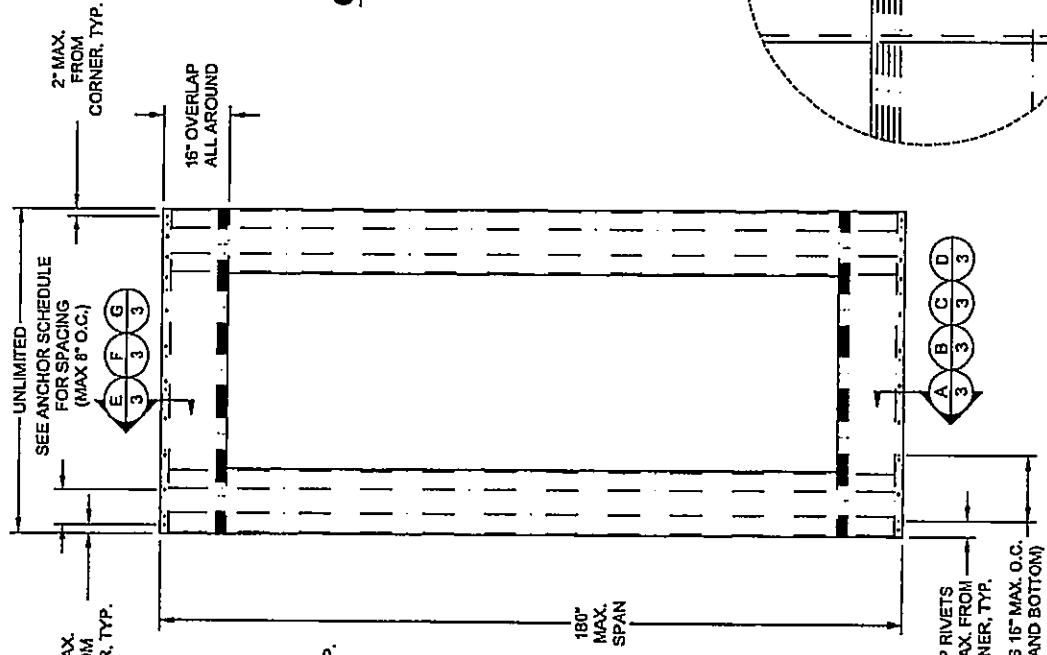
**OPTIONAL STORAGE SYSTEM**



**DETAIL 1**

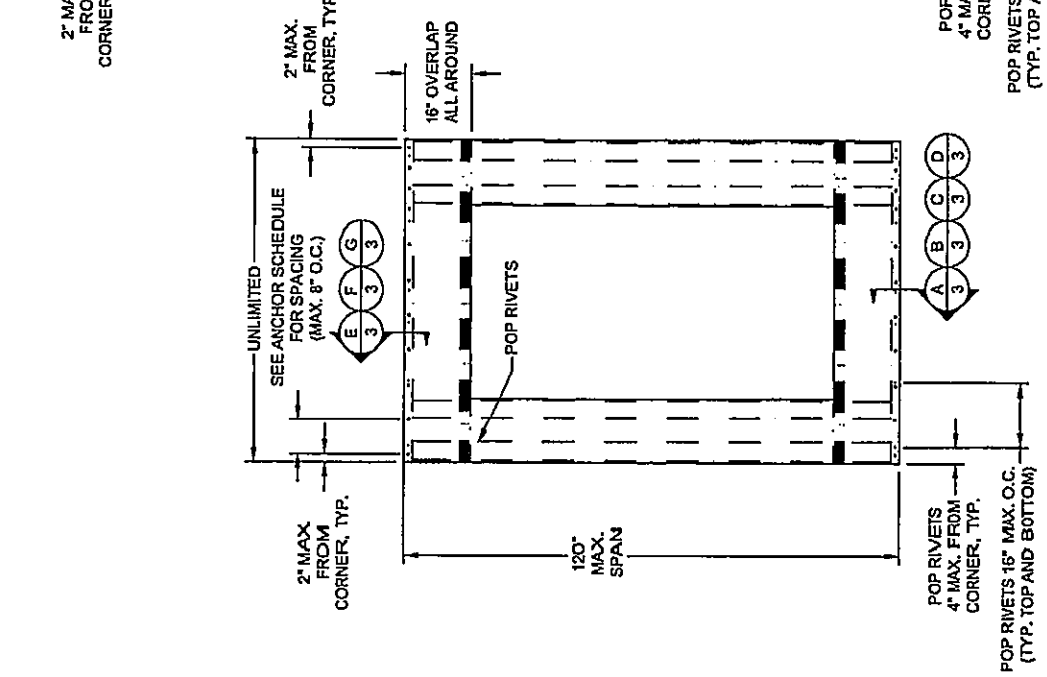


**STITCHING DETAIL**  
TYP. TOP, BOTTOM AND SIDES



**ELEVATION - 121\"**  
EXTERIOR VIEW

DESIGN PRESSURE RATING CHART ALL APPROVED CONFIGURATIONS +60.0/-60.0 PSF
--



**ELEVATION - 0\"**  
EXTERIOR VIEW

DESIGN PRESSURE RATING CHART ALL APPROVED CONFIGURATIONS +90.0/-90.0 PSF
--

121" - 180" SPAN

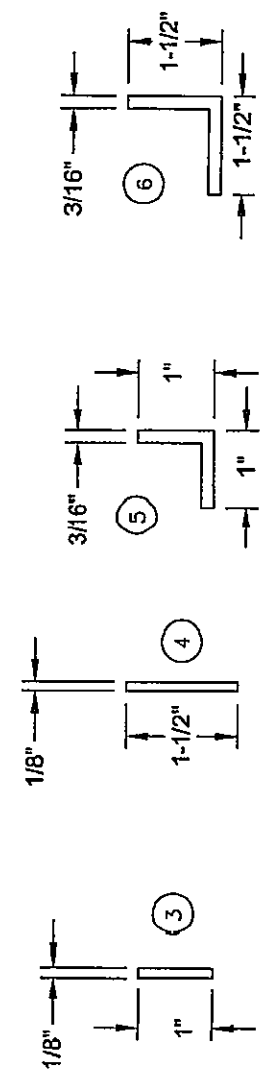
FASTENER TYPE	Substrate Type	Diameter (in)	Minimum Embedment (inches)	Minimum Edge Distance (inches)	Connections #1, #2, & #3		Connection #4
					Max. psf at 50 psf B.O.C.	Max. psf at 60 psf B.O.C.	
ELCO MALE PANELEATE PLUS	CONCRETE	1/2"	2	2-1/2"	60	80	80
	G.F. CHU	1/2"	1 1/4	2	317	42	319
ELCO FEMALE PANELEATE OR SIDEWALK BOLT	WOOD	1/2"	1 7/8	2	498	56	600
	CONCRETE	1/2"	1 3/4	2 1/2"	511	68	600
ITW TAPCON SG	G.F. CHU	1/2"	1 1/4	2	317	42	314
	WOOD	1/2"	1 7/8	2	498	56	600
ITW SHIMMYS SSC OR SIDEWALK BOLT	CONCRETE	1/2"	1 3/4	2 1/2"	511	68	600
	G.F. CHU	1/2"	1 1/4	2 1/2"	337	45	455
ITW Tapcon	WOOD	1/2"	1 1/2	2	559	72	600
	CONCRETE	1/2"	1 1/2	2 3/4	260	36	423
Eico Ultracon	WOOD	1/2"	1 1/4	2-1/2"	368	50	500
	G.F. CHU	1/2"	1 1/4	2-1/2"	337	45	455
Eico Ultracon	WOOD	1/2"	1 1/2	2	509	58	600
	CONCRETE	1/2"	1 1/2	3 1/4	324	43	511
1/4"-20 Machine Screw Anchor (Pencos Call-In)	WOOD	1/2"	1 1/4	2	319	43	319
	CONCRETE	1/2"	1 1/4	2 1/2"	337	45	243

0" - 120" SPAN

FASTENER TYPE	Substrate Type	Diameter (in)	Minimum Embedment (inches)	Minimum Edge Distance (inches)	Connections #1, #2, & #3		Connection #4
					Max. psf at 50 psf B.O.C.	Max. psf at 60 psf B.O.C.	
ELCO MALE PANELEATE PLUS	CONCRETE	1/2"	2	2-1/2"	90	80	80
	G.F. CHU	1/2"	1 1/4	2	42	58	46.3
ELCO FEMALE PANELEATE OR SIDEWALK BOLT	WOOD	1/2"	1 7/8	2	56	59	90
	CONCRETE	1/2"	1 3/4	2 1/2"	68	1.1	86.3
ITW TAPCON SG	G.F. CHU	1/2"	1 1/4	2	42	38	44.6
	WOOD	1/2"	1 7/8	2	64	59	90
ITW SHIMMYS SSC OR SIDEWALK BOLT	CONCRETE	1/2"	1 3/4	2 1/2"	90	20	90
	G.F. CHU	1/2"	1 1/4	2 1/2"	49	40	60.7
ITW Tapcon	WOOD	1/2"	1 1/2	2	71.5	73	90
	CONCRETE	1/2"	1 1/2	2 3/4	35.7	32	60
Eico Ultracon	WOOD	1/2"	1 1/4	2-1/2"	81	72	90
	G.F. CHU	1/2"	1 1/4	2 1/2"	67	40	60.7
Eico Ultracon	WOOD	1/2"	1 1/2	2	61.3	60	90
	CONCRETE	1/2"	1 1/2	2 3/4	42	36	162
1/4"-20 Machine Screw Anchor (Pencos Call-In)	WOOD	1/2"	1 1/4	2	43	40	33.2
	CONCRETE	1/2"	1 1/4	2 1/2"	50	60	90
Eico Ultracon	WOOD	1/2"	1 1/4	2-1/2"	78.3	70	44.4
	G.F. CHU	1/2"	1 1/4	2-1/2"	90	80	97.9
Eico Ultracon	WOOD	1/2"	1 1/2	2-3/4"	75.7	67	60.8
	G.F. CHU	1/2"	1 1/4	2-1/2"	55	47	79.8
Eico Ultracon	WOOD	1/2"	1 1/4	2	50	60	90
	G.F. CHU	1/2"	1 1/4	2	30	27	43.4
1/4"-20 Machine Screw Anchor (Pencos Call-In)	WOOD	1/2"	1 1/4	2	47.5	51	60
	G.F. CHU	1/2"	1 1/4	2	47.5	58	79.8

BILL OF MATERIALS

ITEM #	DESCRIPTION	MATERIAL
1	POLYPROPYLENE FABRIC (COLORS MAY VARY)	
2	THREAD - 16 OZ ANEFIL POLYETHYLENE (COLORS MAY VARY)	
3	1" X 1/8" THICK ALUMINUM FLAT BAR	6061-T6 ALLOY
4	1-1/2" X 1/8" THICK ALUMINUM FLAT BAR	6061-T6 ALLOY
5	1" X 1" X 3/16" THICK ALUMINUM ANGLE	6061-T6 ALLOY
6	1-1/2" X 1-1/2" X 3/16" THICK ALUMINUM ANGLE	6061-T6 ALLOY
7	ANCHORS, SEE ANCHOR SCHEDULES	
8	1/4"-20 X 3/4" 18-8 STAINLESS STEEL BOLT (WITH VARIOUS HEAD TYPES)	
9	1/4"-20 18-8 STAINLESS STEEL LOCK NUT	
10	1/4"-20 WINGNUT	
11	3/16" ALUMINUM POP RIVET 1/2" LONG	



Product Approval Method

Method 1 Option D

Date Submitted

10/02/2020

Date Validated

10/06/2020

Date Pending FBC Approval

10/19/2020

Date Approved

12/15/2020

**Summary of Products**

FL #	Model, Number or Name	Description
11379.1	Wind Abatement System	Geotextile Polypropylene Fabric Storm Protection Screen
<b>Limits of Use</b> Approved for use in HVHZ: No Approved for use outside HVHZ: Yes Impact Resistant: Yes Design Pressure: +90/-90 Other: Span: 0" - 120"		<b>Installation Instructions</b> <a href="#">FL11379_R4_II_CAT0005_RevC_ss.pdf</a> Verified By: Robert J. Amoroso, P.E. FL License No. 49752 Created by Independent Third Party: Yes <b>Evaluation Reports</b> <a href="#">FL11379_R4_AE_PER_2035_Rev3_419-1111_CAT0005_ss.pdf</a> Created by Independent Third Party: Yes
11379.2	Wind Abatement System	Geotextile Polypropylene Fabric Storm Protection Screen
<b>Limits of Use</b> Approved for use in HVHZ: No Approved for use outside HVHZ: Yes Impact Resistant: Yes Design Pressure: +60/-60 Other: Span: 121"-180"		<b>Installation Instructions</b> <a href="#">FL11379_R4_II_CAT0005_RevC_ss.pdf</a> Verified By: Robert J. Amoroso, P.E. FL License No. 49752 Created by Independent Third Party: Yes <b>Evaluation Reports</b> <a href="#">FL11379_R4_AE_PER_2035_Rev3_419-1111_CAT0005_ss.pdf</a> Created by Independent Third Party: Yes

[Back](#) [Next](#)

Contact Us :: 2601 Blair Stone Road, Tallahassee FL 32399 Phone: 850-487-1824

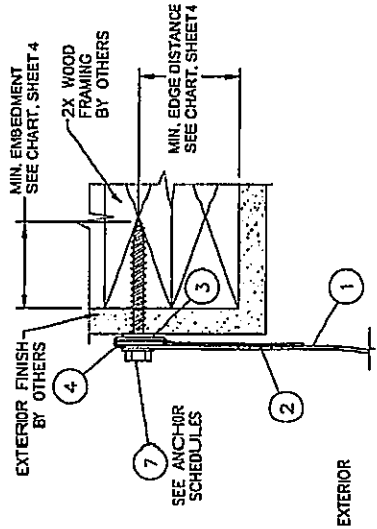
The State of Florida is an AA/EEO employer. [Copyright 2007-2013 State of Florida](#). :: [Privacy Statement](#) :: [Accessibility Statement](#) :: [Refund Statement](#)

Under Florida law, email addresses are public records. If you do not want your e-mail address released in response to a public-records request, do not send electronic mail to this entity. Instead, contact the office by phone or by traditional mail. If you have any questions, please contact 850.487.1395. \*Pursuant to Section 455.275(1), Florida Statutes, effective October 1, 2012, licensees licensed under Chapter 455, F.S. must provide the Department with an email address if they have one. The emails provided may be used for official communication with the licensee. However email addresses are public record. If you do not wish to supply a personal address, please provide the Department with an email address which can be made available to the public. To determine if you are a licensee under Chapter 455, F.S., please click [here](#).

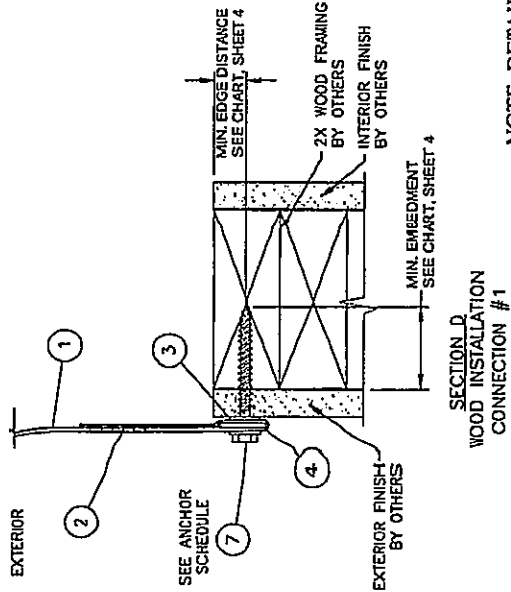


Credit Card  
**Safe**

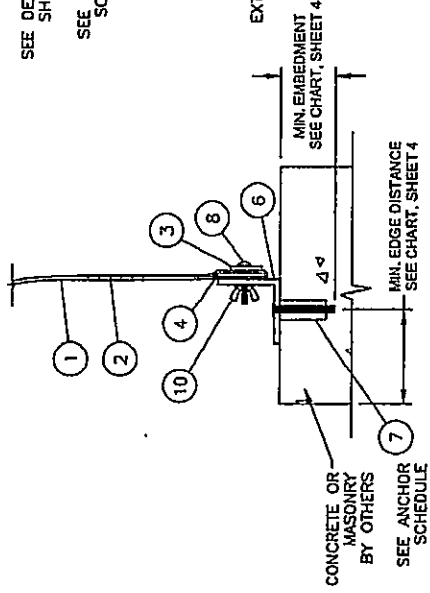




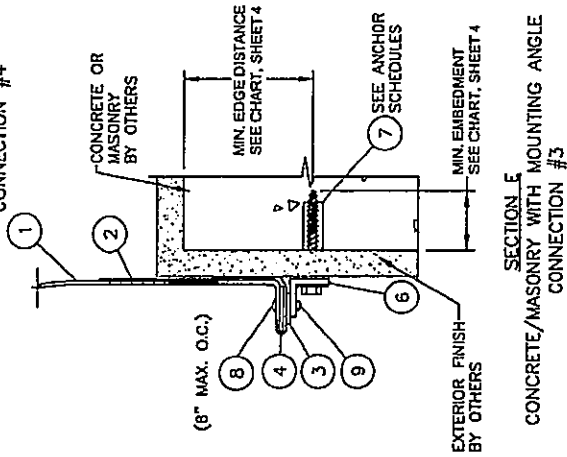
SECTION A  
WOOD INSTALLATION  
CONNECTION #1



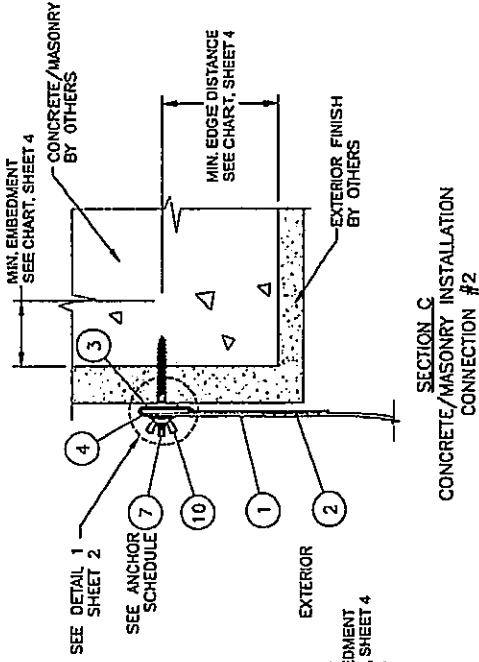
SECTION D  
WOOD INSTALLATION  
CONNECTION #1



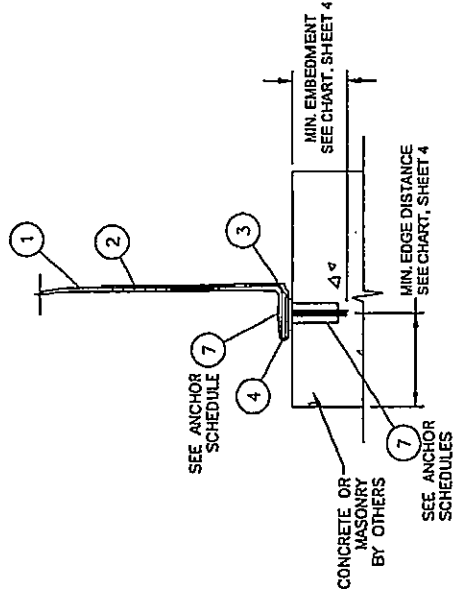
SECTION B  
CONCRETE/MASONRY WITH MOUNTING ANGLE  
CONNECTION #4



SECTION E  
CONCRETE/MASONRY WITH MOUNTING ANGLE  
CONNECTION #3



SECTION C  
CONCRETE/MASONRY INSTALLATION  
CONNECTION #2



SECTION F  
CONCRETE/MASONRY  
CONNECTION #4

NOTE: DETAILS ARE REPRESENTATIVE REGARDLESS OF ORIENTATION OR MOUNTING SUBSTRATES. SEE SHEETS 4 AND 5 FOR VARIOUS APPROVED SUBSTRATES.

PROJECT NO. 418-0103		DATE		REV	
CAT 5 HURRICANE SCREENS, LLC		09/09/08		C	
13474 CHAMBERS ST.		09/09/08		C	
BROOKSVILLE, FL 34613		09/09/08		C	
WIND ABATEMENT SYSTEM		09/09/08		C	
CROSS SECTIONS		09/09/08		C	
SCALE		09/09/08		C	
N.T.S.		09/09/08		C	
REV		09/09/08		C	
3 OF 5		09/09/08		C	
DESCRIPTION		09/09/08		C	
UPDATE TO CURRENT		09/09/08		C	
EDITION OF THE FCC		09/09/08		C	
1/16/18		09/09/08		C	
RJA		09/09/08		C	

Robert J. Amoroso, P.E.  
 Florida P.E. No. 49152  
 Digitally signed by Robert J Amoroso  
 Date: 2018.01.19 15:40:36 -05'00'

**EXPANDED DESIGN PRESSURE RATING vs. SPAN TABLES FOR ELCO PANELMATE ANCHORS USED WITH CONNECTION NUMBERS 3 AND 4 AND ANGLE 4 (BOM NO. 6) IN VARIOUS SUBSTRATES**

NOTE 1) SHEET SHEET 4 FOR ANCHOR SIZE, EMBEDMENT AND EDGE DISTANCE REQUIREMENTS.  
NOTE 2) "ED" IN TABLE BELOW STANDS FOR EDGE DISTANCE.

Span (ft)	Design Pressure Rating (PSF) based on Connection No. 3 or Connection No. 4 Angle (BOM No. 6) to Substrate Anchorage at 12" Spacing On Center As Limited by Screen Design Pressure							
	ELCO MALE PANELMATE PLUS CONCRETE		ELCO MALE PANELMATE PLUS CMU		ELCO MALE PANELMATE PLUS WOOD (2" ED)		ELCO MALE PANELMATE PLUS WOOD (3/4" ED)	
	Connection No. 3	Connection No. 4	Connection No. 3	Connection No. 4	Connection No. 3	Connection No. 4	Connection No. 3	Connection No. 4
180	48.3	52.2	21.1	23.2	33.2	52.3	28.4	35.6
174	49.9	53.9	21.8	24.0	33.7	53.6	29.4	37.8
168	51.5	55.7	22.5	24.7	34.1	54.9	30.3	39.0
162	53.1	57.4	23.2	25.5	34.6	56.1	31.3	40.2
156	54.7	59.2	23.9	26.3	35.1	57.4	32.2	41.4
150	56.4	60.9	24.6	27.1	35.6	58.7	33.2	42.7
144	58.0	62.6	25.3	27.8	36.0	60.0	34.1	43.9
138	59.6	64.4	26.0	28.6	36.5	61.3	35.1	45.1
132	61.2	66.1	26.7	29.4	37.0	62.5	36.0	46.3
126	62.8	67.9	27.4	30.1	37.4	63.8	37.0	47.5
120	64.4	69.6	28.1	30.9	37.9	65.1	37.9	48.7
114	66.0	71.3	28.8	31.7	38.4	66.4	38.9	49.9
108	67.6	73.1	29.5	32.4	38.8	67.7	39.8	51.1
102	69.2	74.8	30.2	33.2	39.3	68.9	40.8	52.3
96	70.8	76.6	30.9	34.0	39.8	70.2	41.7	53.5
90	72.5	78.3	31.6	34.8	40.3	71.5	42.7	54.8
84	74.1	80.0	32.3	35.5	40.7	72.8	43.6	56.0
78	75.7	81.8	33.0	36.3	41.2	74.1	44.6	57.2
72	77.3	83.5	33.7	37.1	41.7	75.3	45.5	58.4
66	78.9	85.3	34.4	37.8	42.1	76.6	46.5	59.6
60	80.5	87.0	35.1	38.6	42.6	77.9	47.4	60.8
54	82.1	88.7	35.8	39.4	43.1	79.2	48.4	62.0
48	83.7	90.0	36.5	40.1	43.5	80.5	49.3	63.2
42	85.3	90.0	37.2	40.9	44.0	81.7	50.3	64.4
36	86.9	90.0	37.9	41.7	44.5	83.0	51.2	65.6
30	88.5	90.0	38.6	42.5	45.0	84.3	52.2	66.9
24	90.0	90.0	39.3	43.2	45.4	85.6	53.1	68.1

Span (ft)	Design Pressure Rating (PSF) based on Connection No. 3 or Connection No. 4 Angle (BOM No. 6) to Substrate Anchorage at 12" Spacing On Center As Limited by Screen Design Pressure							
	ELCO FEMALE PANELMATE CONCRETE		ELCO FEMALE PANELMATE CMU		ELCO FEMALE PANELMATE WOOD (2" ED)		ELCO FEMALE PANELMATE WOOD (3/4" ED)	
	Connection No. 3	Connection No. 4	Connection No. 3	Connection No. 4	Connection No. 3	Connection No. 4	Connection No. 3	Connection No. 4
180	34.0	46.3	21.1	22.3	53.1	56.0	24.5	38.6
174	35.1	47.8	21.8	23.0	54.9	57.9	25.3	40.5
168	36.3	49.4	22.5	23.8	56.6	59.7	26.1	42.4
162	37.4	50.9	23.2	24.5	58.4	61.6	26.9	44.3
156	38.5	52.5	23.9	25.3	60.1	63.4	27.7	46.2
150	39.7	54.0	24.6	26.0	61.9	65.3	28.6	48.1
144	40.8	55.5	25.3	26.7	63.7	67.2	29.4	50.0
138	41.9	57.1	26.0	27.5	65.4	69.0	30.2	51.8
132	43.0	58.6	26.7	28.2	67.2	70.9	31.0	53.8
126	44.2	60.2	27.4	29.0	68.9	72.7	31.8	55.7
120	45.3	61.7	28.1	29.7	70.7	74.6	32.6	57.6
114	46.4	63.2	28.8	30.4	72.5	76.5	33.4	59.5
108	47.6	64.8	29.5	31.2	74.2	78.3	34.2	61.4
102	48.7	66.3	30.2	31.9	76.0	80.2	35.0	63.3
96	49.8	67.9	30.9	32.7	77.7	82.0	35.8	65.2
90	51.0	69.4	31.6	33.4	79.5	83.9	36.7	67.1
84	52.1	70.9	32.3	34.1	81.3	85.8	37.5	69.0
78	53.2	72.5	33.0	34.9	83.0	87.6	38.3	70.9
72	54.3	74.0	33.7	35.6	84.8	89.5	39.1	72.8
66	55.5	75.6	34.4	36.4	86.5	90.0	39.9	74.7
60	56.6	77.1	35.1	37.1	88.3	90.0	40.7	76.6
54	57.7	78.6	35.8	37.8	90.0	90.0	41.5	78.5
48	58.9	80.2	36.5	38.6	90.0	90.0	42.3	80.4
42	60.0	81.7	37.2	39.3	90.0	90.0	43.1	82.3
36	61.1	83.3	37.9	40.1	90.0	90.0	43.9	84.2
30	62.3	84.8	38.6	40.8	90.0	90.0	44.8	86.1
24	63.4	86.3	39.3	41.5	90.0	90.0	45.6	88.0

REV		
C	UPDATE TO CURRENT EDITION OF THE FBC	11/8/18
RJA		

**CAT 5 HURRICANE SCREENS, LLC**  
13474 CHAMBERLAIN ST.  
BROOKSVILLE, FL 34813

**WIND ABATEMENT SYSTEM**  
**CHARTS, B.O.M. & COMPONENTS**

DATE: 09/09/08  
SCALE: N.T.S.  
S.M.C.  
REV: S O F 5

Robert J. Amoroso, P.E.  
Florida P.E. No. 49192

Digitally signed by  
Robert J Amoroso  
Date: 2018.01.19  
15:39:53 -05'00'



**Product Approval**  
USER: Public User

[Product Approval Menu](#) > [Product or Application Search](#) > [Application List](#) > [Application Detail](#)



FL #	FL11379-R4										
Application Type	Revision										
Code Version	2020										
Application Status	Approved										
Comments											
Archived											
Product Manufacturer	CATS Hurricane Screens, LLC.										
Address/Phone/Email	13484 Chambord St. Brooksville, FL 34613 (352) 592-2008 info@ptc-corp.com										
Authorized Signature	Rosalie Bennett info@ptc-corp.com										
Technical Representative											
Address/Phone/Email											
Quality Assurance Representative											
Address/Phone/Email											
Category	Shutters										
Subcategory	Fabric Storm Panel										
Compliance Method	Evaluation Report from a Florida Registered Architect or a Licensed Florida Professional Engineer Evaluation Report - Hardcopy Received										
Florida Engineer or Architect Name who developed the Evaluation Report	Robert J. Amoruso, P.E.										
Florida License	PE-49752										
Quality Assurance Entity	National Accreditation and Management Institute										
Quality Assurance Contract Expiration Date	12/31/2022										
Validated By	Charles Pagen, Fenestration Technology, LLC Validation Checklist - Hardcopy Received										
Certificate of Independence	<a href="#">FL11379_R4_COI_CI_2035_Rev3_419-1111_CAT0005_ss.pdf</a>										
Referenced Standard and Year (of Standard)	<table border="0"> <thead> <tr> <th><u>Standard</u></th> <th><u>Year</u></th> </tr> </thead> <tbody> <tr> <td>ASTM E1886-13a</td> <td>2013</td> </tr> <tr> <td>ASTM E1996-14a</td> <td>2014</td> </tr> <tr> <td>ASTM E330</td> <td>2002</td> </tr> <tr> <td>ASTM E330</td> <td>2014</td> </tr> </tbody> </table>	<u>Standard</u>	<u>Year</u>	ASTM E1886-13a	2013	ASTM E1996-14a	2014	ASTM E330	2002	ASTM E330	2014
<u>Standard</u>	<u>Year</u>										
ASTM E1886-13a	2013										
ASTM E1996-14a	2014										
ASTM E330	2002										
ASTM E330	2014										
Equivalence of Product Standards Certified By	Florida Licensed Professional Engineer or Architect <a href="#">FL11379_R4_Equiv_FER_2035_Rev3_419-1111_CAT0005_ss.pdf</a>										
Sections from the Code											